



MULTIGYMS / FUNCTIONAL TRAINERS

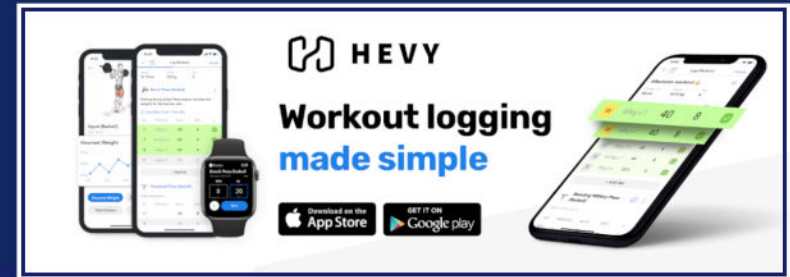
DAP-FT

A versatile space-efficient cable gym that is ideal for homes or vertical facilities.



Features

- ✓ 16-Position Dual Adjustable Pulley Functional Trainer
- ✓ Compact Space Efficient Corner Design
- ✓ 2 x 200 lb. Weight Stacks
- ✓ Integrated Multi-Grip Pull-Up Bar



Specifications:

Dimensions. (Corner Config.): (L x W x H) : 48" x 48" x 83" / 122 x 122 x 211cm

Dimensions (Straight Config.): (L x W x H) : 59" x 43" x 83" / 150 x 110 x 211cm

Functional Trainer Weight Stack: 2 x 200 lb. with 2:1 Pulley Ratio

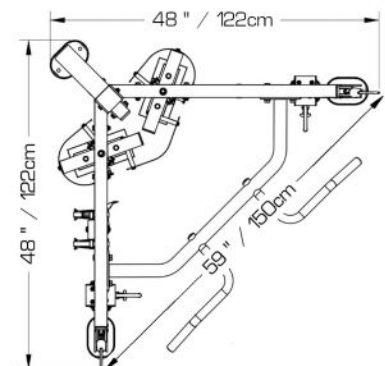
Included Accessories: Lat Bar, Short Bar, Triceps Rope, Ankle Strap & Chains

Product Weight: 662 lb. / 302 kg

Lifetime Residential Warranty*

Light Commercial Warranty*

*Visit paradigmfitnessequipment.com/warranty-information for full details



Paradigm Fitness Equipment

P.O. Box 24681, Silverthorne, CO, 80497

(800) 910 6194

paradigmfitnessequipment.com



Scan me