

8130B-86HB

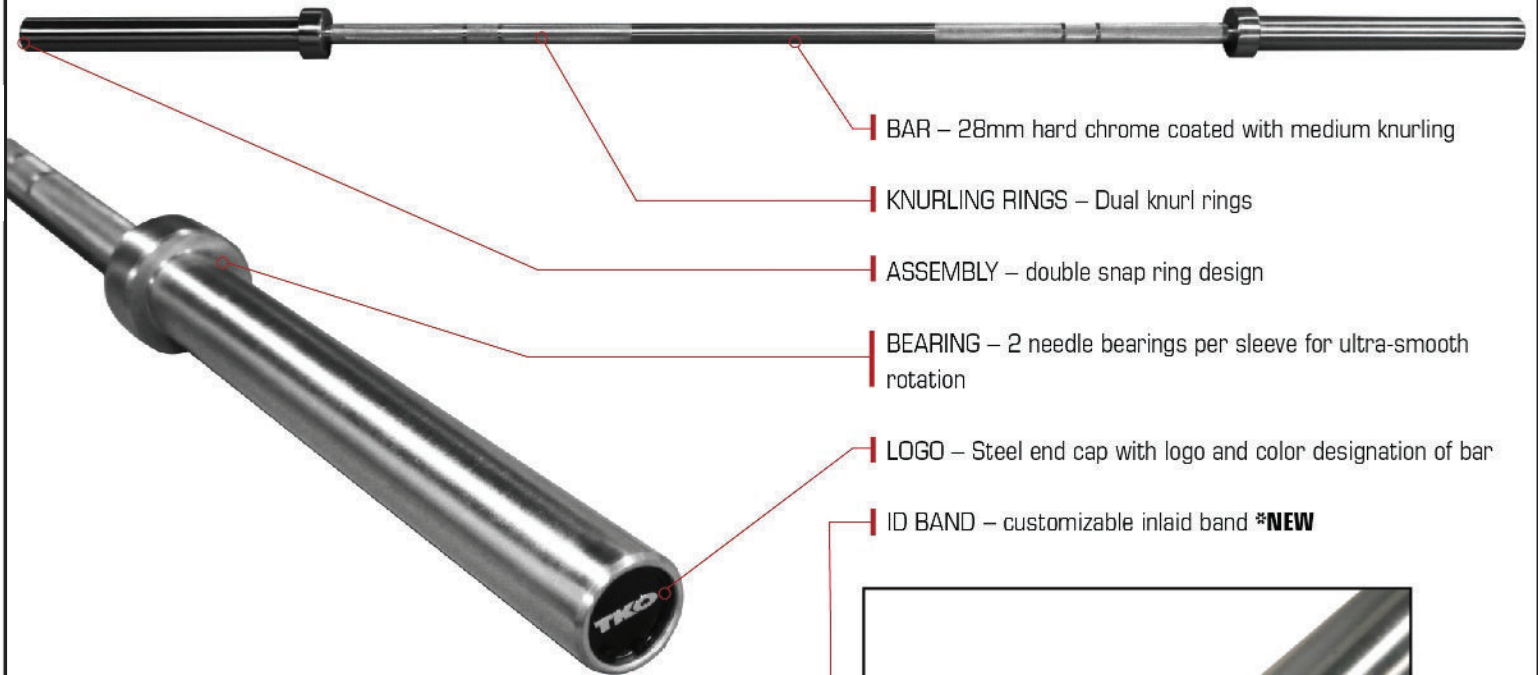
SIGNATURE SERIES | OLYMPIC BAR

The **TKO Olympic Bar** line provides high quality with a stylish design to enhance the look of any facility. Built from the highest end material and guaranteed to last in the highest use facilities from health clubs, college rec and high school levels. Variety of diameters, weight and lengths available, all with needle bearings.

PRODUCT SPECIFICATIONS

LENGTH: 86" (218cm)
DIAMETER: 28.5mm
PRODUCT WEIGHT: 44lbs. (20kg)
CAPACITY: 225,000 PSI / 2000LB
WARRANTY: 5 YEARS

FEATURES & BENEFITS



BAR – 28mm hard chrome coated with medium knurling

KNURLING RINGS – Dual knurl rings

ASSEMBLY – double snap ring design

BEARING – 2 needle bearings per sleeve for ultra-smooth rotation

LOGO – Steel end cap with logo and color designation of bar

ID BAND – customizable inlaid band ***NEW**



CUSTOMIZABLE ID BAND

TKOSTRENGTH.COM | 1.866.856.3488

SALES@TKOSTRENGTH.COM

